

GRP Roof Cowls

Product overview

FAIRHAVEN GRP Roof Cowls are suitable for a wide range of ventilation applications including:

- Commercial kitchens
- Warehouses
- Workshops & factories
- Large retail buildings
- Agricultural buildings



The units are suitable for extract *or* supply air use, are available in both Horizontal and vertical discharge versions, and can be fitted with a plate mounted axial flow fan to create a roof mounted fan unit (please enquire for fan details).

Key features

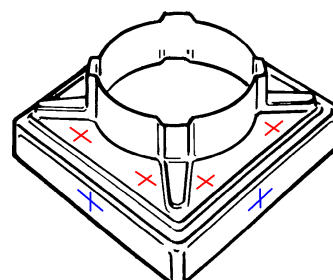
- Standard low profile **horizontal discharge** design gives excellent weather protection
- **Vertical discharge** model available for applications where discharge air needs to be dispersed vertically upwards (commercial kitchen extract, industrial applications)
- Manufactured from glass fibre reinforced polyester resin (GRP), and finished with a hard-gloss gel coat.
- Stainless bird guard and fixings fitted as standard
- Optional factory fitted backdraught shutters (standard on vertical discharge)
- Standard colour “Goosewing Grey” BS00 A05, but a wide range of alternative colours available to order
- Wide range of sizes from 300mm to 1400mm square base size

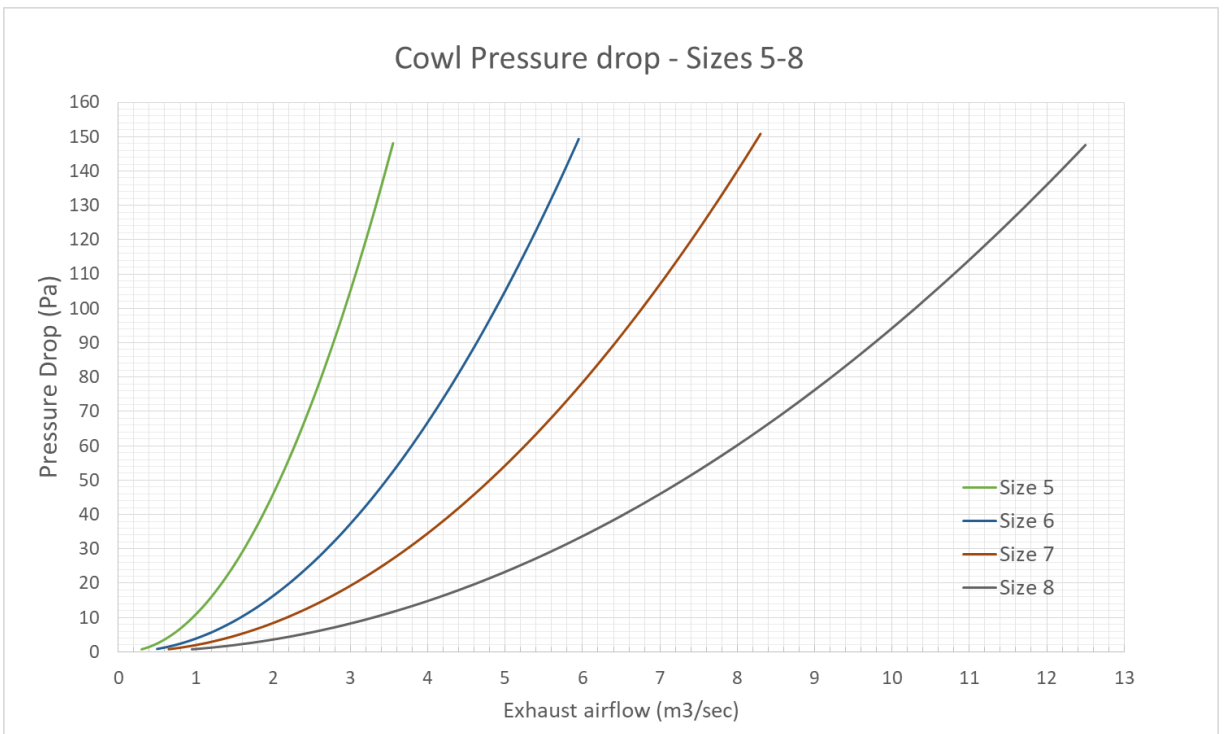
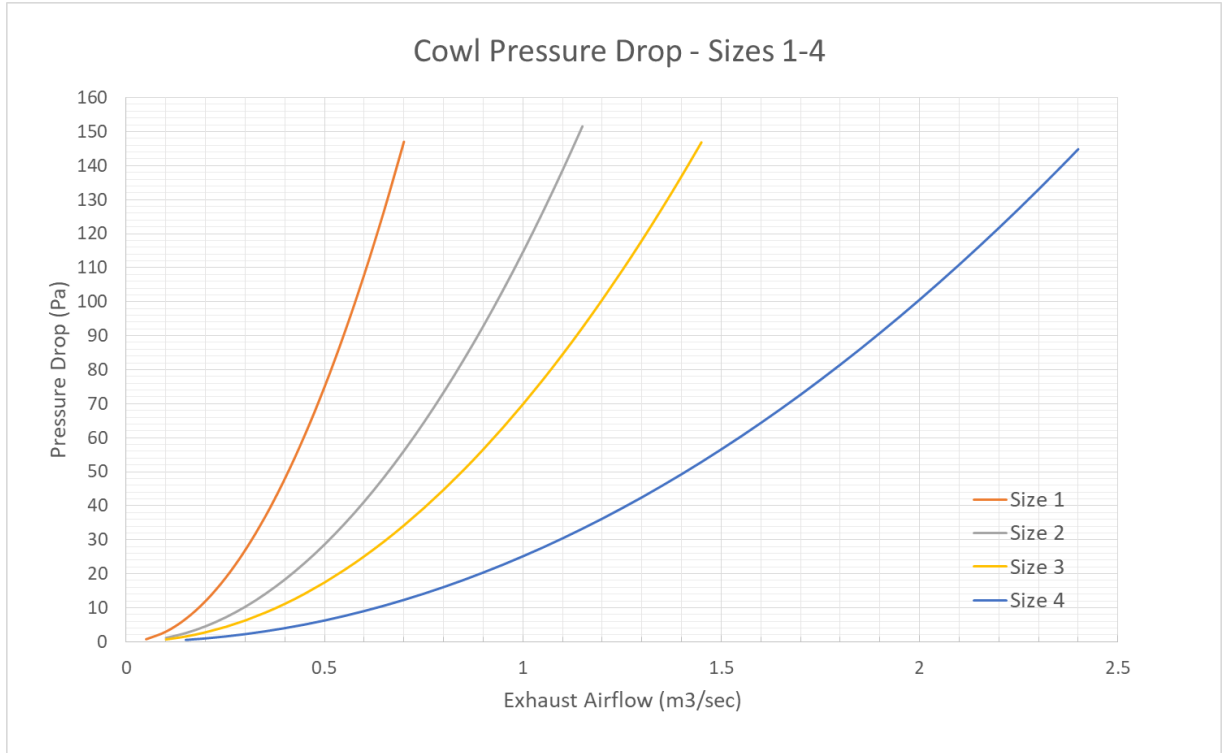
Fixing details

The complete Roof Extract Unit may be secured to a timber curb (by others) or a purlin box using self drilling roofing screws or similar. The choice of fixing will ultimately depend on the construction of the upstand, however washers of minimum 30mm dia. should be placed between the screw/bolt head and the weatherskirt base, all fixings to be weather proofed.

For sheltered to moderate exposure, the weatherskirt should be fixed to the curb or purlin at a minimum of 8 fixing points on top of weatherskirt base (shown in red).

For severe weather exposure an additional 4 fixing points in the centre of the side of the skirt base should be used (shown in blue).





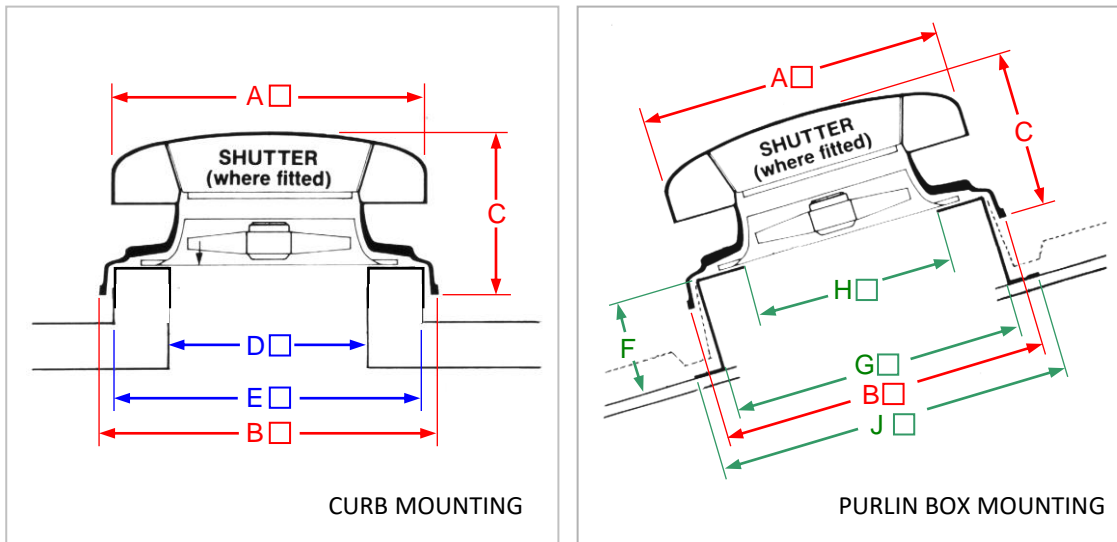
Above pressure drop data are for horizontal (RA model) cowls, exhaust airflow.

For fresh air intake, multiply the pressure drop value by 1.35.

For Vertical discharge cowls (exhaust only), divide above pressure drop values by 1.5.

Dimensions

FAIRHAVEN horizontal discharge roof units are supplied in 8 cowl sizes, with each cowl suitable for either one or two different fan sizes. The vertical discharge type is available in the sizes indicated below only. The following table gives the housing dimensions together with mounting dimensions for both curb and optional purlin box as shown in the diagram below.



Cowl size	Product code		Housing Dimensions			Curb Dimensions		Purlin Box Dimensions			
	Horizontal.	Vert.	A*	B	C*	D (min)	E (max)	F#	G	H	J
1	RA-200/250	-	490	490	310	290	440	220	425	290	605
2	RA-300/315	RV-315	555	555	340	400	510	220	485	400	665
3	RA350	RV350	675	695	380	460	640	240	610	460	790
4	RA400/450	RV450	765	795	460	560	750	240	720	560	900
5	RA500/560	RV560	995	960	550	700	890	250	870	700	1050
6	RA630/710	RV710	1115	1055	650	835	1000	260	970	835	1150
7	RA800	-	1410	1170	750	935	1120	270	1100	935	1280
8	RA1000	-	1650	1405	900	1135	1360	280	1340	1135	1520

*not applicable to vertical extract units.

Purlin boxes can be supplied in GRP please ask for details and dimensions.

#Suggested purlin box height, depends on roof sheeting profile.

Suggested minimum curb height 150mm over all.

"J" Dimension can alter to suit roof construction.

Plate mounted axial fans

Our GRP cowls are designed to be fitted with plate mounted axial fans, for either extract or supply airflow. We keep most sizes of cowls and fans in stock for immediate delivery, and can supply the fan pre-fitted into the cowl on request.



Gravity operated backdraught shutter (extract only)

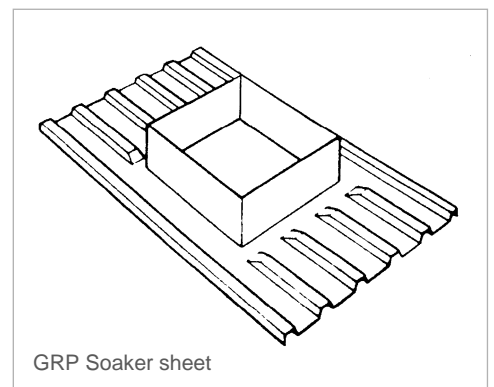
Ensures no back-flow of air when fan is switched off

Insect screen (horizontal discharge units only)

A fine stainless steel mesh to prevent ingress of insects

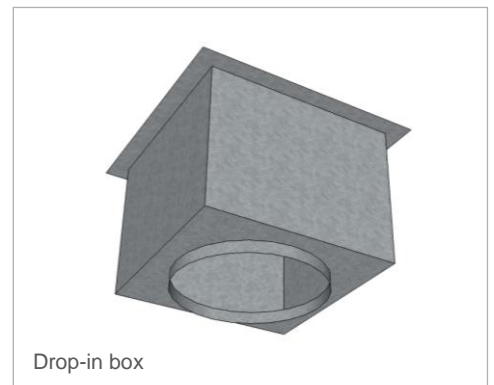
GRP purlin box

A lightweight moulded upstand designed specifically to complement modern roofing systems.



Soaker sheets

We can supply roof soaker sheets to suit any available cladding profile, in the same range of colours as the roof units.



Drop in boxes

For connection to circular or rectangular ductwork, we can supply a drop in box fabricated from galvanised steel.

L2/J2 building regulations compatible units

Complete with insulated soaker sheet kerbs & specially adapted cowls, for applications that need to meet L2 energy

Motorised dampers

For non-ducted installations, we can supply a motorised shut off damper to close off the roof opening when



Products may differ in appearance from those shown in photographs.

Fairhaven H&V Services Ltd reserves the right to change specifications without notice



3 Glenavy Road
Moirá
Craigavon
Co. Armagh
BT67 0LT

Tel: (028) 9261 1648
E-mail: sales@fairhavenltd.co.uk
www.fairhavenltd.co.uk